

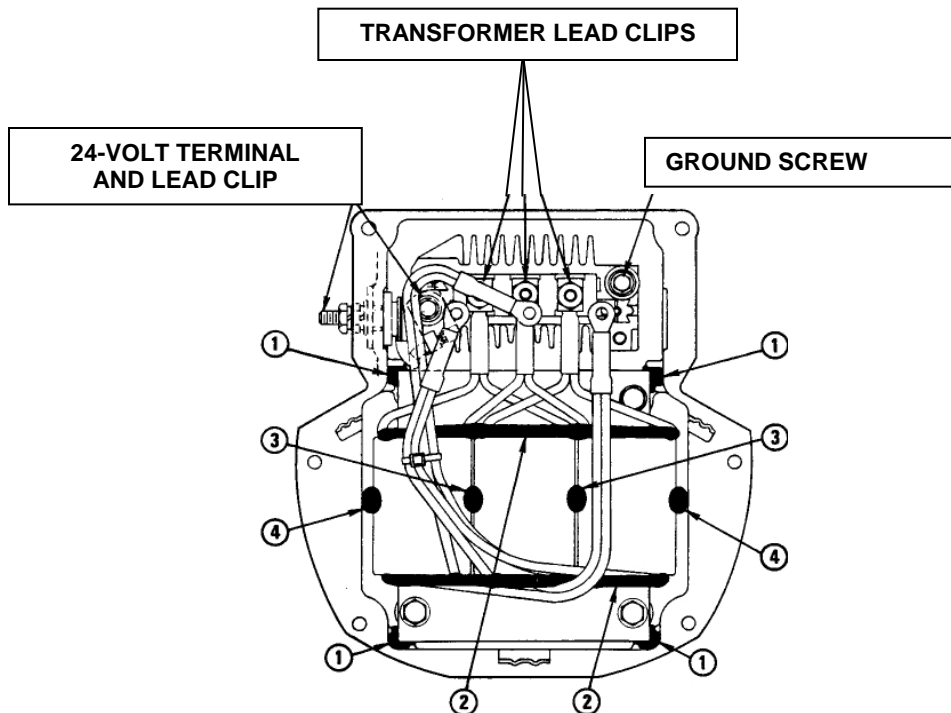
APPLY EPOXY TO TRANSFORMER AND HOUSING ON 30SI/TR ALTERNATORS

WARNING!!! ALWAYS USE PROPER EYE PROTECTION WHEN PERFORMING ANY MECHANICAL REPAIRS TO A VEHICLE – INCLUDING, BUT NOT LIMITED TO, ANY INSTALLATION AND OR REPAIRS TO THE DELCO REMY ALTERNATORS. FAILURE TO USE PROPER EYE PROTECTION CAN LEAD TO SERIOUS AND PERMANENT EYE DAMAGE.

Only perform the mechanical functions that you are properly qualified to perform. Mechanical repairs that are beyond your technical capabilities should be handled by a professional installation specialist.

1. When installing new transformer onto old housing, remove all old epoxy. Clean with soft, dry cloth.
2. Install new transformer and apply liberal amounts of epoxy, as in old assembly, to transformer and housing.

IMPORTANT: Epoxy is essential, as transformer is almost certain to fail if epoxy is not used. See back page.
3. Use AC-DELCO EPOXY, PART NO. 1966807 (or equivalent), available through AC-Delco outlets.
4. Allow 24 hours for epoxy to "cure".
5. **IMPORTANT-** Attach only four (4) lead clips to rectifier bridge as shown. These are:
 - a. **Three (3)** transformer lead clips
 - b. **One (1)** 24-volt terminal lead clip
6. Do not use any lead at the rectifier bridge ground screw. **This screw and washer** (contained in the package) **must be used** to ground the upper heat sink of the rectifier bridge. This heat sink must be grounded when used with this transformer.
7. Even though the old assembly may have used a jumper lead between the two rectifier bridges, this new assembly does not and **must not use a jumper lead.**



1. **APPLY EPOXY:**
2. TRANSFORMER IRON TO END FRAME, FOUR PLACES
3. WINDINGS TO TRANSFORMER IRON, TWO PLACES
4. BETWEEN WINDINGS, TWO PLACES
5. WINDINGS TO END FRAME, TWO PLACES

Technical support: USA 800 854 0076, Mexico 01 800 000 7378, Brazil 0800 703 3526, South America 55 11 2106 6510 or visit delcoremy.com

NOTICE - Only licensed Remy International, Inc. product and component parts should be used, and the use of other parts or modifications not approved by Remy International, Inc. will void all applicable warranties. The failure to carefully follow these Installation Instructions, set forth above, will void all applicable warranties. DELCO REMY is a registered trademark of General Motors Corporation, licensed to Remy International, Inc. Pendleton, IN 46064.